

SPEEDBEAM

10W, 20W, 29W, 39W, 40W, 58W, 76W,
IP20



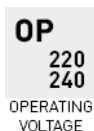
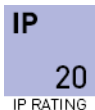
PRODUCT INFORMATION DOCUMENT

FEATURES

- Easy to open screw-less end caps providing quick and simple installation
- Two-part construction making wiring and installation much easier and faster
- Modularised components for quick and easy replacement
- All sizes equipped with quick connectors allowing plug-in emergency pack (RLEMPKDT-PSU) and plug-in microwave sensor (RLMW) to be fitted in seconds
- Base suitable for 20mm conduit entry
- Suitable for BESA box mounting
- Compatible with ALEXANDER suspension kit (RAESUS-2W)

CONSTRUCTION

- Pressed steel, powder coated base
- Polycarbonate diffuser and end caps
- 4-way push terminals



Product Code:	RSB104006-01	RSB204006-01	RSB204012-01	RSB404012-01
Comparable to:	1x18W T8	2x18W T8	1x36W T8	2x36W T8
Total Power (W):	10.9	20.2	20.9	38.1
Power Factor:	0.9	0.9	0.9	0.99
Total Light Output (lm):	1370	2550	2740	5080
Total Emergency Light Output (lm):	330	330	330	240
Efficacy (lm/cctW):	126	126	131	133
Lux at 1m (lux):	410	760	830	1550
Emergency Lux at 1m (lux):	100	100	100	80
CCT (K):	4000	4000	4000	4000
CRI:	80	80	80	80
IP:	20	20	20	20
Operation Temperature (°C):	-20 ≤ Ta ≤ +40	-20 ≤ Ta ≤ +40	-20 ≤ Ta ≤ +40	-20 ≤ Ta ≤ +40
Inrush Current:	6.28A/350us	6.28A/350us	6.28A/340us	12.9A/196us
RG Value:	0	0	0	0
SDCM:	<6	<6	<6	<6
P _{st} LM:	NA	NA	NA	NA
SVM:	NA	NA	NA	NA
Energy Class:	D	D	D	D
Rated Life to L70B50 (Hrs):	50000	50000	50000	50000
Dimensions LxWxH (mm):	630x66x66	630x66x66	1230x66x66	1230x66x66
Weight (kg):	0.78	0.78	1.29	1.29

PLEASE NOTE: INFORMATION IN THIS DOCUMENT MAY BE SUBJECT TO CHANGE WITHOUT PRIOR NOTICE

IRE: TEL: +353 1 709 9000
 UK: TEL: 0800 973 220
 AUS: TEL: +61 7 3890 5444
 NZ: TEL: +64 03 668 5285

WEB: ROBUS.COM
 WEB: ROBUS.COM
 WEB: ROBUS.COM.AU
 WEB: ROBUSLED.CO.NZ

LED GROUP EUROPE · UK · AUSTRALIA · NEW ZEALAND · ASIA · MIDDLE EAST · AFRICA

ROBUS®

COMMERCIAL

SPEEDBEAM

10W, 20W, 29W, 39W, 40W, 58W, 76W,
IP20

Product Code:	RSB294015-01	RSB294015E-01	RSB584015-01	RSB394018-01	RSB764018-01
Comparable to:	1x58W T8	1x58W T8	2 x 58W T8	1x70W T8	2 x 70W T8
Total Power (W):	29.4	30.6	55.8	37.9	79.5
Power Factor:	0.97	0.97	0.99	0.99	0.99
Total Light Output (lm):	3880	3900	7480	4990	9830
Total Emergency Light Output (lm):	290	290	250	240	230
Efficacy (lm/cctW):	132	127	134	132	124
Lux at 1m (lux):	1180	1190	2280	1350	2650
Emergency Lux at 1m (lux):	90	90	80	70	60
CCT (K):	4000	4000	4000	4000	4000
CRI:	80	80	80	80	80
IP:	20	20	20	20	20
Operation Temperature (°C):	-20 ≤ Ta ≤ +40	-10 ≤ Ta ≤ +40	-20 ≤ Ta ≤ +40	-20 ≤ Ta ≤ +40	-20 ≤ Ta ≤ +40
Inrush Current:	12.9A/196us	12.9A/196us	14.5A/195us	12.9A/196us	17.5A/210us
RG Value:	0	0	0	0	0
SDCM:	<6	<6	6	<6	6
P _{st} LM:	NA	NA	NA	NA	NA
SVM:	NA	NA	NA	NA	NA
Energy Class:	D	D	D	D	D
Rated Life to L70B50 (Hrs):	50000	50000	50000	50000	50000
Dimensions LxWxH (mm):	1530x66x66	1530x66x66	1530x66x66	1830x66x66	1830x66x66
Weight (kg):	1.55	1.7	1.55	1.81	1.81

Separate Control Gear Information	RSB104006-01	RSB204006-01	RSB204012-01	RSB404012-01
Type of Light Source:	LED	LED	LED	LED
Full Load Efficiency (%):	91	90	90	93
P _{NET} (W):	NA	NA	NA	NA
Dimensions (mm):	144x21x22	144x21x22	144x21x22	148x34x25

Separate Control Gear Information	RSB294015-01 RSB294015E-01	RSB584015-01	RSB394018-01	RSB764018-01
Type of Light Source:	LED	LED	LED	LED
Full Load Efficiency (%):	93	94	93	95
P _{NET} (W):	NA	NA	NA	NA
Dimensions (mm):	148x34x25	192x40x26	148x34x25	192x40x26

Product is certified to all the relevant standards.

Please contact our technical department for market specific compliances.

SPEEDBEAM

10W, 20W, 29W, 39W, 40W, 58W, 76W, IP20

Cone Illuminance Diagram

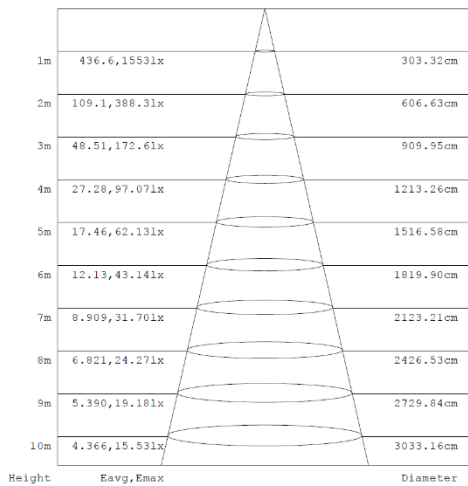
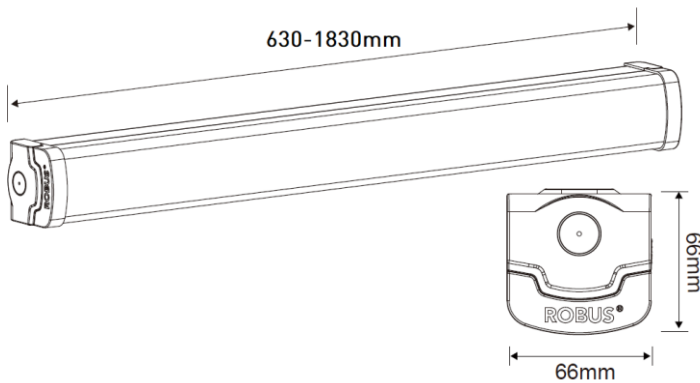


Diagram for RSB404012-01 in 4000K. Other diagrams available on request

Dimension Diagram



Sensor Data

Time Off Delay:	5s to 10min
Illuminance Switching Range:	2lux to 50lux, disabled
Sensitivity Range (%):	50%, 100%
Mounting Height (max):	5m
Detection Zone Diameter (max):	10m

Polar Intensity Diagram

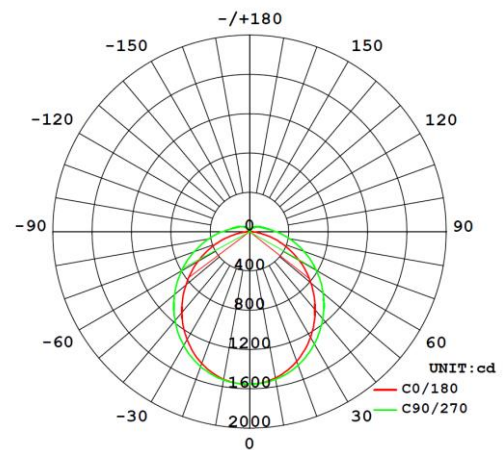


Diagram for RSB404012-01 in 4000K. Other diagrams available on request

Accessories

- RLEMPKDT-PSU 2W 3 Hour DUAL TEST Emergency Pack
- RLMW Plug-in Microwave Sensor